



LPS Industries, General Packaging Division

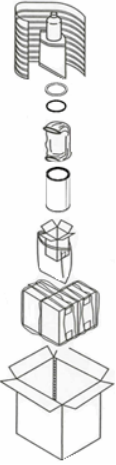

Hazardous Materials Packaging

ISO 9001:2000 Certified

DOT-SP 8249 Exempt Pack 16 oz. and 32 oz. Liquids, and 1 lb. and 6 lb. Solids Closure Instructions

START HERE:

Tightly close primary container. Place container into inner zippered bag and zip closed.

| | |
|--|---|
|  <p>TO SHIP LIQUIDS: (LIQUIDS, PYROPHORIC SOLIDS OR DANGEROUS WHEN WET MATERIAL)</p> <p>Wrap container with crimped cellulose wadding sufficient to absorb content of bottle.</p> <p>Place bagged container with cushioning into can and apply lid. Apply locking ring to can.</p> <p>Place can into inner box. Tape box closed with 3" reinforced gummed tape or 2" 3M #375 clear carton sealing tape, or equivalent.</p> |  <p>TO SHIP SOLIDS:</p> <p>Wrap container with cellulose wadding sufficient for cushioning.</p> <p>Place wrapped container into inner box. Tape box closed with 3" reinforced gummed tape or 2" 3M #375 clear carton sealing tape, or equivalent.</p> <p><i>(Can required for use on all liquids, pyrophoric solids or dangerous when wet materials. Other solids do not require can)</i></p> |
|--|---|

Continue for liquids or solids: Place boxed assembly into outer zippered bag and zip closed.

If shipping 1 unit: Place above assembly into outer UN marked single carton. Tape box closed with 3" reinforced gummed tape or 2" 3M #375 clear carton sealing tape, or equivalent.

If shipping 2 units: Assemble two sets of inner components, and place both assemblies into outer UN marked 2 pack carton. Tape box closed with 3" reinforced gummed tape or 2" 3M #375 clear carton sealing tape, or equivalent.

If shipping 4 units: Assemble 4 sets of inner components, and place all four assemblies into outer UN marked 4 pack carton. Tape box closed with 3" reinforced gummed tape or 2" 3M #375 clear carton sealing tape, or equivalent.

ATTENTION:

Tighten Cap to 16 In-Lbs. torque. Press zipper together and seal across entire width of bag.
To seal can: Apply downward pressure to lid until seated completely into grooves on can.
Apply downward pressure to locking ring until contacting top of can.
Outer flaps meet. Use center seam tape pattern, 2.5" minimum overlap.
Refer to Special Permit DOT-SP 8249 for complete information for use of this packaging.

* Please note that in order to remain compliant with DOT regulations, wadding must be used for the shipment of liquids. One case of KP6522 will accommodate approximately 50-16 oz. or 25-32 oz. packages.

Single liquid kit contains: 1 inner bag, 1 can with lid, 1 locking ring, 1 inner box, 1 outer bag and 1 outer UN marked single carton.

Single solid kit contains: 1 inner bag, 1 inner box, 1 outer bag and 1 outer UN marked single carton.

*** LPS will assume responsibility for package integrity and compliance with ICAO/IATA, IMO and UN standards, "only", if all package components are assembled and purchased as a single integrated unit.